



L-TFT-22053D1H-B

30X 2MP HD Hybrid IR Speed Dome Camera

Key Features

- Hybrid HD Analog Camera : AHD or HD-TVI
- 2MP Resolution(AHD, HD-TVI)
- Optical Zoom 30X, Digital Zoom 16X
- Long Range IR LED with Synchronization(up to 200m)
- True WDR, True Day & Night
- Max. 380°/sec Speed(Preset)
- Preset(240), Tour(8), Pattern(8), Privacy(16)
- Alarm Input(4), Alarm Output(2)
- 24VDC, 24VAC
- IP66

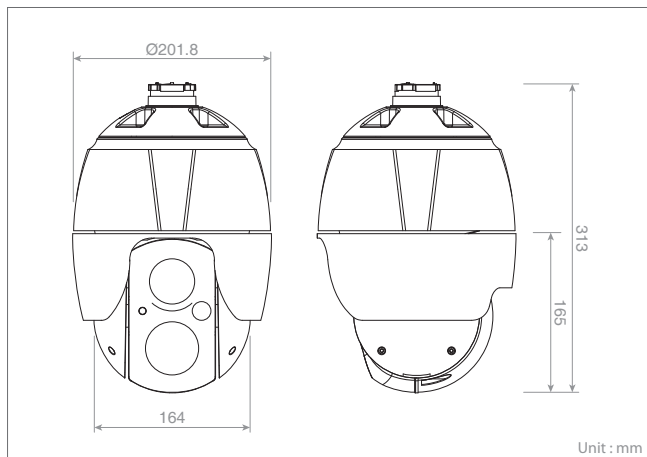
Technical Specifications

Model	L-TFT-22053D1H-B	
IMAGE		
Lens	Optical Zoom 30X, 4.3~129mm	
Angle of View	61.8~2.9°(H)	
Image Sensor	Type	1/2.8" SONY STARVIS CMOS Sensor
	Pixels	1945(H)x1097(V)
Min. Illumination	Color : 0.35Lux@50IRE / BW : 0Lux(IR LED On)	
Scanning Mode	Progressive Scan	
Wide Dynamic Range	True WDR	
Day and Night Mode	True D/N(Auto, Day, Night)	
Noise Reduction	3DNR	
Digital Zoom	16X	
Exposure Control	Auto, Manual, Shutter Priority, Iris Priority	
White Balance Control	Auto, Manual, Incandescent, Fluorescent, Outdoor	
Back Light Compensation	Yes	
Image Effect	Flip	
Shutter Speed	25/30fps : Auto(1/30,000~x8 sec.), Manual 50/60fps : Auto(1/50,000~x8 sec.), Manual	
DIS	Yes	
Defog	Yes	
IR Illuminator	Quantity	Synchronized IR LED, Fixed IR LED
	Angle	5~60°
	Distance	Up to 200m
VIDEO		
Resolution	HD-TVI : 1080p@25/30fps, 720p@25/30/50/60fps AHD : 1080p@25/30fps	
Video Output	HD-TVI or AHD, Composite	
PTZ FUNCTION		
Pan Range	360° Endless	
Pan Speed	Max. 380°/sec.(Preset)	
Tilt Range	-10~90°	
Tilt Speed	Max. 380°/sec.(Preset)	
Preset	240	
Tour	8	
Pattern	8	
Home Function	Yes	
Privacy Mask Zone	16 Programmable Zones	
EXTERNAL IN/OUT		
Video HD Output	BNC Jack	
Video Composite Output	BNC Jack	
Alarm	4 Input, 2 Output	
Control	Coaxial Communication RS-485, Baud Rate : 2,400~38,400bps(Default : 9,600bps)	
ID(Camera Address)	1~3999	
ETC		
Operating Humidity	0~90% RH(Non-Condensing)	
Operating Temperature	-30~+65 °C	
Power Supply	24VDC, 24VAC	
Power Consumption	1.6A(38W)@24VDC, 2.6A(38W)@24VAC	
Dimension	201.8(Ø)x313(H)mm	
Net Weight	Approx. 4.9kg	
Ingress Protection	IP66	

Optional Accessory

- HDB241(Ceiling Bracket)
- HDB242E(Wall Bracket)

Dimension



Specifications are subject to change without notice.