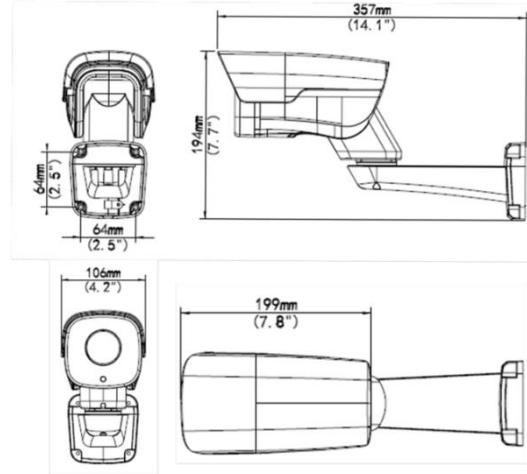


TBP25R-x2

1080P Zoom Lens IR PTZ Camera



Key Features

PTZ

- Precision motor with accuracy deviation less than 0.1 degree.
- Pan range 250°, tilt range -50° to 50°
- Pan speed up to 30°/s, tilt speed up to 10°/s

Optics

- Smart IR, up to 100m (328ft) IR distance
- 2X Optical Zoom & Auto Focus
- IR anti-reflection window to increase the infrared transmittance
- Day/night functionality

Compression

- H.265, H.264, MJPEG
- Embedded smart algorithm
- Triple streams

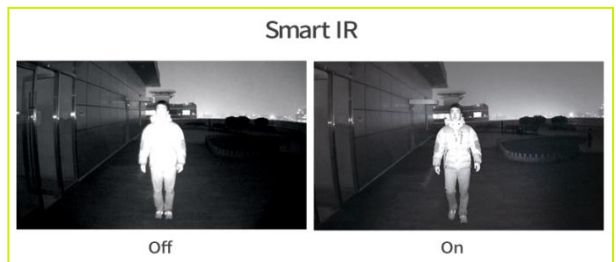
Network

- ONVIF Conformance

Structure

- Support PoE power supply
- Wide temperature range: -35°C to +60°C (-31°F to +140°F)
- Wide voltage range of $\pm 25\%$
- IP66

Image



Specifications

TBP25R-x2	
Camera	
Sensor	1/2.8", 2 megapixel, progressive scan CMOS
Lens	3 ~ 6 mm, 2X optical zoom, 16X digital zoom
Iris	Auto/Manual, F1.8
Shutter	Auto/Manual, 1/6s ~ 1/100000s
Min. Illumination	Color: 0.02 Lu \times (F1.8, AGC ON) 0 Lux with IR on
Day/Night	IR-cut filter with auto switch (ICR)
IR Range	100m (328ft) IR range
S/N	\geq 52dB
WDR	Digital
Noise Reduction	2D/3D
Video	
Max. Resolution	1920 \times 1080
Video Compression	H.265, H.264, MJPEG
Frame Rate	1080P (1920 \times 1080): Max. 30 fps, 720P(1280 \times 720): Max. 30 fps; D1 (720 \times 576): Max. 30 fps
Video Streaming	Triple
HLC	Supported
OSD	Up to 8 OSDs
Evaluative Metering	Supported
ROI	Supported
Privacy Mask	Up to 4 areas
Smart	
Behavior Detection	Intrusion, crossing line, motion detection
Exception Detection	Audio detection
Intelligent Identification	Face detection
Statistical Analysis	People counting
Audio	
Audio Compression	G.711
Two-way audio	Supported
Storage	
Edge Storage	Built-in 32 GB eMMC
Network	
Protocols	L2TP, IPv6, IPv4, IGMP, ICMP, ARP, TCP, UDP, DHCP, PPPoE, RTP, RTSP, RTCP, DNS, DDNS, NTP, FTP UPnP, HTTP, HTTPS, SMTP, SIP, 802.1x
Compatible Integration	ONVIF, API
Pan & Tilt	
Pan Range	250 $^{\circ}$
Pan Speed	0.1 $^{\circ}$ /s ~ 30 $^{\circ}$ /s Preset speed: 30 $^{\circ}$ /s
Tilt Range	-50 $^{\circ}$ ~ 50 $^{\circ}$
Tilt Speed	0.1 $^{\circ}$ /s ~ 10 $^{\circ}$ /s Preset speed: 10 $^{\circ}$ /s
Number of Presets	400
Patrol	Up to 16 patrols, up to 32 presets per patrol Note: The total number of patrols and patterns is 16.
Interface	
Audio I/O	3.5 mm connector
	Input: impedance 35 k Ω ; amplitude 2 V [p-p]
	Output: impedance 600 Ω ; amplitude 2 V [p-p]
Alarm I/O	2/ 1
Network	10M/100M Base-TX Ethernet
General	
Power	12V DC \pm 25%, PoE (IEEE802.3 at)
	Power consumption: Max. 17.23 W
Dimensions (L \times W \times H)	357 mm \times 106 mm \times 194 mm (14.1" \times 4.2" \times 7.7")
Weight	1.16 kg (2.6lb)
Working Environment	-35 $^{\circ}$ C to +60 $^{\circ}$ C (-31 $^{\circ}$ F to 140 $^{\circ}$ F), \leq 95% RH
Ingress Protection	IP66