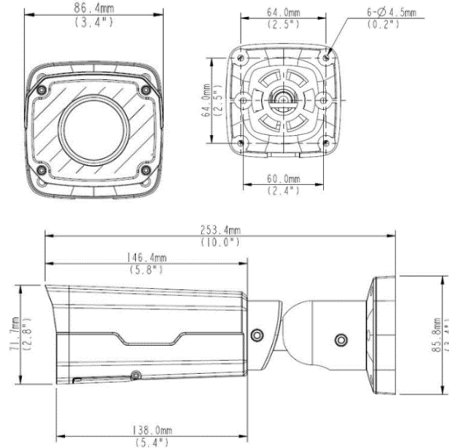


กล้องวงจรปิด (CCTV) แบบ IP Camera



TBN22R

2MP VF Network IR Bullet Camera



Key Features

Optics

- Day/night functionality
- Smart IR, up to 30m (98ft) IR distance
- 3D DNR (Digital Noise Reduction)

Compression

- H.264, MJPEG
- Triple streams
- 9:16 corridor mode

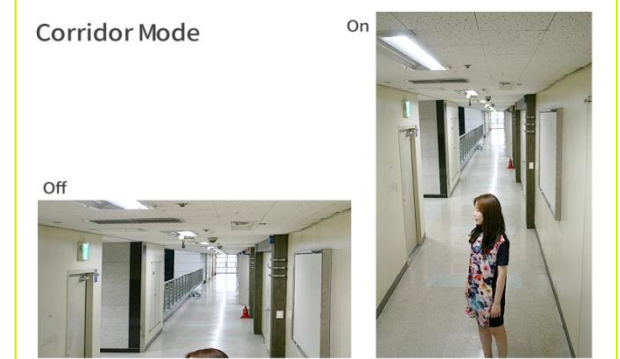
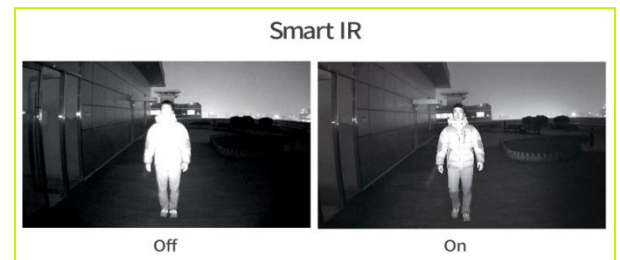
Network

- ONVIF Conformance

Structure

- Support PoE power supply
- Wide temperature range: -35°C to 60°C (-31°F to 140°F)
- Wide voltage range of $\pm 25\%$
- IP67

Image



Accessories



AJB231

Dimensions : 126mm x 125mm x 55mm

Weight : 0.72Kg

Specifications

| TBN22R | |
|------------------------|--|
| Camera | |
| Sensor | 1/2.7", 2 Megapixel, progressive scan CMOS |
| Shutter | Auto/Manual, 1/6~1/100000s |
| Lens | 2.8~12 mm@F1.4; Angle of view: 90° ~ 28° |
| Zoom/Focus | Manual |
| Min. Illumination | Colour: 0.06 Lux (F1.4, AGC ON) 0 Lux with IR on |
| Day/Night | IR-cut filter with auto switch (ICR) |
| S/N | ≥52dB |
| Video | |
| Max. Resolution | 1920 x 1080 |
| Video Compression | H.264, MJPEG |
| Frame Rate | 1080P (1920*1080): Max. 30 fps; 720P (1280*720): Max. 1 fps; CIF (352*288): Max. 1 fps |
| 9:16 Corridor Mode | Supported |
| ROI | Supported |
| Video Streaming | Triple |
| Evaluative Metering | Supported |
| OSD | Up to 8 OSDs |
| Privacy Mask | Up to 4 areas |
| Audio | |
| Audio Compression | G.711 |
| Two-way audio | Supported |
| Storage | |
| Edge Storage | Micro SD, Up to 128 GB |
| Network | |
| Protocols | L2TP,IPv6,IPv4,IGMP,ICMP,ARP,TCP,UDP,DHCP,PPPoE,RTP,RTSP, NTP,FTP,HTTP |
| Compatible Integration | ONVIF, API |
| Interface | |
| Audio I/O | Audio cable |
| | Input: impedance 35 kΩ; amplitude 2 V [p-p] |
| | Output: impedance 600 Ω; amplitude 2 V [p-p] |
| Alarm I/O | 1/ 1 |
| Network | 10M/100M Base-TX Ethernet |
| General | |
| Power | 12V DC, or PoE (IEEE802.3 af) |
| | Power consumption: Max 8W |
| Material | Cast aluminum |
| Dimensions (L × W × H) | 253.4 × 86 × 71.7 mm (9.98" × 3.4" × 2.8") |
| Weight | 0.58kg (1.28lb) |
| Working Environment | -35°C ~ +60°C (-31°F ~ 140°F), Humidity ≤ 95% RH(non-condensing) |
| Ingress Protection | IP67 |