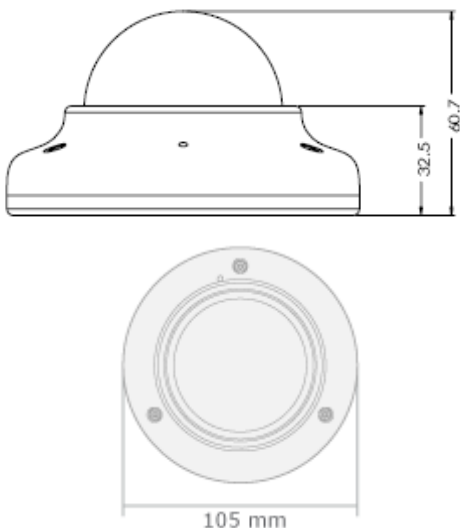


# 2MP H.265 HD IP AI Machine Learning - Elevator Floor Indicator MINI DOME CAMERA

## NVD7-22-RE



### ● DIMENSION



## FEATURES

### Multiple Profile Streaming

Up to 3 streams are able to be set by different setting. H.264 and H.265-HEVC(High Efficiency Video Coding) is to reduce backend storage expense through low bandwidth.

### Cyber Security Protection

GDPR for EU market and CIS for North America market for cyber data protection and satisfied TTA regulations that is highly restricted regulation for data and cyber security.

### WDR (Wide Dynamic Range)

WDR is a sensor-based technology, camera with this technology can produce images with an extremely wide dynamic range. The WDR image sensor can capture several images with short and long exposures, then combining them into a single frame. It synthesizes different exposure conditions into an image so that both bright and dark data can be seen at the same time. Therefore, it outputs brilliant colors are captured even when pictures are taken against bright light for both video imaging and still imaging.

### Built-in Microphone

Cameras with built-in microphone allow users to integrate live communications from the camera and the scene it monitors. Users can record live video along with audio from the scene, with no need for separate hardware, all monitored and controlled from the same simple camera User Interface (UI)

### Recognizing Elevator Floor Number by Machine Learning

This camera recognizes the number of elevator stop level, displaying the floor number and send Meta data via ONVIF or RTSP.

### Detecting abnormal vibration in the Elevator

This camera sends Meta data via ONVIF or RTSP when detecting abnormal vibration in the elevator.

### Providing data by recording mileage for an inspection

This camera provides a total distance from the installation and this data helps to determine a time of safety inspection service.

## Specification

CAMERA	
Image Sensor	1/2.8" 2.1M CMOS (Sony Starvis)
Total Pixels	1945(H) X 1109(V)
Focal Length	2.8mm, F2.0   4.0mm, F2.6 6.0mm, F2.0   8.0mm, F1.6
Lens Type	Fixed
IRIS Type	Auto Exposure
Field Angle (FOV)	D:130°, H:115°, V:64° (2.8mm)   D:120°, H:86°, V:46° (4mm) D:64°, H:55°, V:30° (6mm)   D:47°, H:40°, V:22° (8mm)
Shutter Speed	Auto / Manual ( 1/15 ~ 1/32000 ), Anti-Flicker, Slow Shutter( 2X, 3X, 5X, 6X, 7.5X, 10X )
MIN. Illumination	0.05Lux, 0Lux with IR(F2.0)
IR LEDES	H11R
IR Distance	60ft
Dynamic Range Conf.	True WDR (SONY Digital Overlap WDR)
Dynamic Range	120dB or above
S/N Ratio	50dB
Pan / Tilt / Zoom	N/A
D&N	TDN (True Day & Night)
DNR	3D-DNR
Privacy Mask	16 Programmable Zone
AGC	Auto
Image Processing	Exposure, White balance, Sharpness

I/O & EVENT	
Audio In / Out	1 (Mic) / 0
Alarm In /Out	N/A
Video Output (2nd Video Out)	N/A
Event Trigger	Motion Alarm, Network disconnection, Temperature critical
Pre-Post Recording	pre : 1 ~ 0~5 sec post : 1 ~ 240 sec
Event Notification	FTP, E-Mail, SD Card
Ethernet	RJ45(10/100BASE-T)

SECURITY & NETWORK	
Network Protocol	TCP/IP, UDP, Auto IP, RTP(UDP/TCP), RTSP, NTP, HTTP, HTTPS, SSL, DNS, DDNS, DHCP, FTP, SMTP, ICMP, SNMPv1/v2/v3(MIB-2), ONVIF
Security	HTTPS(SSL), IP filtering, 802.1x, Digest Authentication
SIP/VoIP Support	N/A
Plug In	CGI API, ONVIF

GENERAL	
Support Languages	English, Korean, Japanese
Power DC	DC12V
Power PoE	PoE IEEE 802.3af class2
Power Consumption	DC12V Max 3.7W PoE Max 5.5W
Temperature	-20°C ~ 50°C( )
Humidity	10~90% RH (non-condensing)
Housing	Aluminum Die-casting
Dimensions (D x H)	Ø105 x 61 mm
Weight	0.4kg
Compliance	IP66

ENCODER (VIDEO & AUDIO)	
Video Compression	H.265, H.264, MJPEG
H.264 Profile	H.265 : MP H.264 : MP / HP
Max Resolution	1920 x 1080
Multiple Profile Streaming	1080p30 + CIF(352*288 or 352*240) p30 with H.264, H.265 + MJPEG
Video Bit rate	100Kbps ~ 10Mbps, Multi-rate for Preview and Recording
Bitrate Control	Multi Streaming CBR/VBR at H.264, H.265 (Controllable frame rate and Bandwidth)
Support Resolution	H.265 : 1080p/720p(Main), CIF(Sub) H.264 : 1080p/720p(Main), CIF(Sub) MJPEG : CIF
Edge Storage	Micro SD, Micro SDHC, Micro SDXC
Special Feature	Smart LBR, ROI
Audio Compression	G.711