

48M Megapixel 180° Multi Sensor Panoramic Camera Predator



PANOTM
Multi-Sensor 180° Panoramic View

FEATURES

ROI(Region of Interest)

Gives efficient video rates with optimized video quality. Frequently moving areas are keeping much better quality. On the other hands, less moving areas are dropping video rates.

Various web plug-in

IE, Safari, Chrome, Firefox and Etc. any kind of web browsers are supported by the most flexible web plug in.

Smart AVC

The "Advanced Video Coding" provides the most efficient way to stream audio & video data through network even 1080p at 600kbps bandwidth.

Advanced built in ISP

3D-DNR, Adjustable 3A features, Defect Pixel Correction, WDR, HDR, lens correction and even more advanced ISP functions are provided from built in ISP.

Fluid integration way

The latest Onvif profiles(S,G,Q) are optimized to have interoperability with any kind of purpose. Well-structured CGI-API plug in gives even more detailed functions to be integrated to VMS.

Double Scan sensor with advanced built in ISP

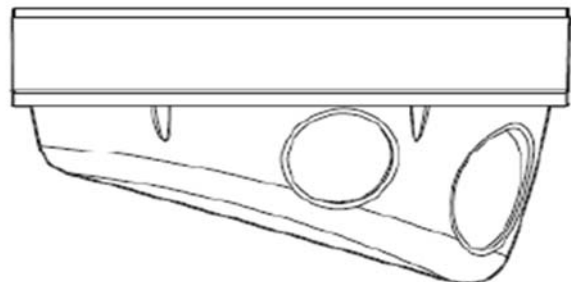
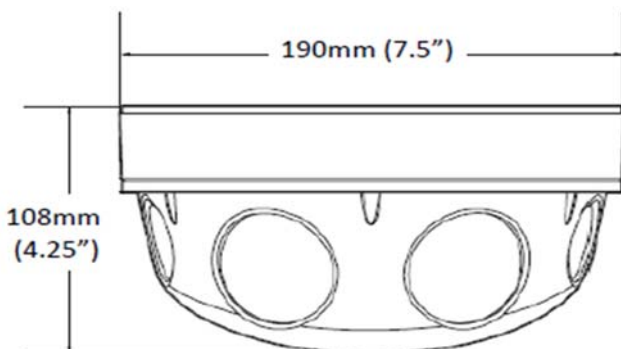
Double scan sensor provides up to 60fps at 1080p resolution. (Encoding max performance 1080p30fps)

It gives long exposure and short exposure combined as real WDR with real time frame rate 1080p resolution.

Hydrophobic Dome cover

This hydrophobic dome cover repels water and dust to maintain a camera's image quality. A technologically-advanced coating alleviates spotting and smudges that can affect the performance of the camera.

Dimension (unit : mm)



Specification

CAMERA	
Image Sensor Resolution	Four 1/2.3" 12MP CMOS Sensor 48MP (4X 12MP)
Total Pixels	4000(H) X 3000(V) (per sensor)
Focal Length	Four 7.2mm, F2.4
Lens Type	Fixed
IRIS Type	Auto Exposure
Field Angle (FOV)	48MP Mode: 48° HFOV per image, 185° total HFOV 32MP Mode: 46° HFOV per image, 180° total HFOV
Shutter Speed	Auto, 1/7.5 sec ~ 1/32000 sec
MIN. Illumination	0.5Lux [Color], 0/1Lux[B&W]
Dynamic Range Conf.	HDR, True WDR, D-WDR
Dynamic Range	120dB or above
S/N Ratio	50dB
Pan / Tilt / Zoom	-
D&N	TDN(True day & Night)
Digital Noise Reduction	3D-DNR OFF/LOW/MIDDLE/HIGH
Privacy Mask Support	8 Programmable Zone
AGC	Max 42dB
Other Image Processing	BLC, Configurable Exposure, White Balance, Sharpness, Pixel correction, Lens distortion correction, Gamma compensation, Color enhancement, High quality polyphase scalars

ENCODER (VIDEO & AUDIO)	
Video Compression	H.264, MJPEG
H.264 Profile	BP / MP / HP
Max Resolution	4000 x 3000(Per sensor)
Streaming Capability	1 main high resolution, 1 low resolution streams
Frame Rate	48MP : 15fps per sensor 32MP : 30fps per sensor
Bitrate Control	Multi Streaming CBR/VBR at H.264 (Controllable frame rate and Bandwidth)
Audio Compression	-
Edge Storage	SD / SDHC / SDXC
Special Feature	Smart AVC, Dynamic ROI

I/O & EVENT	
Audio In / Out	N/A
Alarm In /Out	N/A
Video Output (2nd Video Out)	1[CVBS 1.0V p-p (75Ω)], 4:3 aspect ratio
Event Trigger	Motion, Audio, Alarm
Pre-Post Recording	Pre: 8 sec. / Post: 8 sec.
Event Notification	FTP, e-mail, SD card
Ethernet	RJ45(10/100BASE-T)

SECURITY & NETWORK	
Network Protocol	IPv4/IPv6 : ONVIF, TCP/IP, UDP/IP, RTP(UDP/TCP), RTSP, NTP, HTTP,HTTPS, SSL, DNS, DDNS, DHCP, FTP, SMTP, ICMP, SNMPv1/v2c/v3(MIB-2)
Security	HTTPS(SSL), Digest Authentication(ID/PW) IEEE 802.1X IP filtering
SIP/VoIP Support	N/A
Plug In	Onvif Profile S (G under development), CGI API

GENERAL	
Support Languages	English, Korean, Japanese, Chinese, Spanish, German, French, Portuguese
Power	12VDC : 22.5W PoE+ : 25.5W
Temperature	-10°C ~ 50°C(14°F~122°F)
Humidity	Less than 80% (Non-condensing)
Housing	Aluminum Die-casting (IK10, IP6x)
Dimensions (D x H)	7.5 x 4.25 inch (190 x 102mm)
Weight	2.0 kg(4.4 lbs)
Compliance	FCC, CE, ROHS