



## TD-YZJ0806

### Ceiling Mounting Bracket

#### Features

- Aluminum alloy material with surface spray treatment
- Ceiling mounting bracket for dome cameras
- It can be used with the junction box

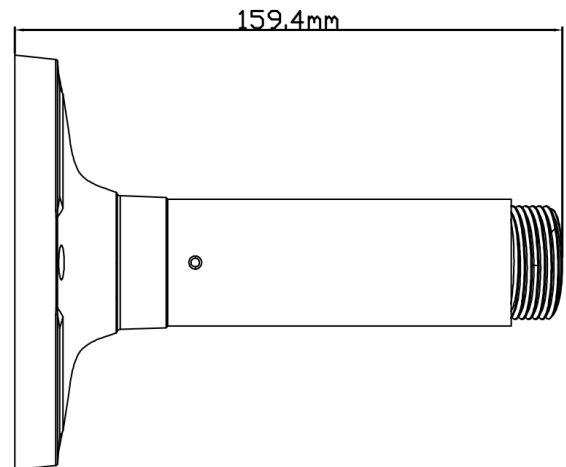
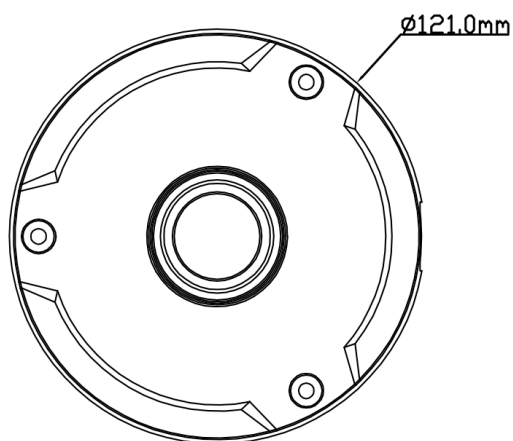
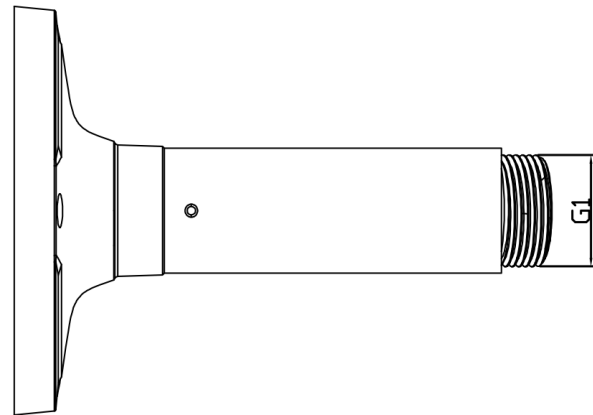
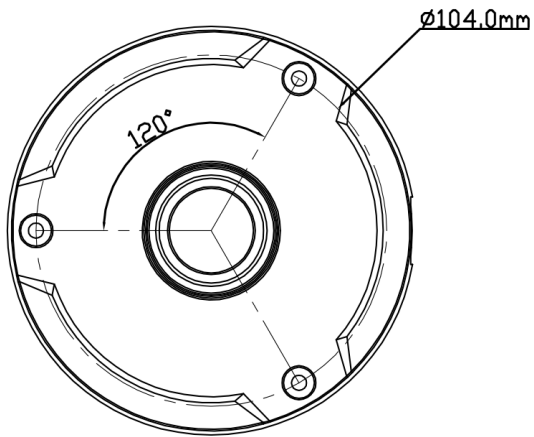
#### Specifications

Model	HD-YZJ0806
Material	Aluminum alloy
Color	White
Min. Packaging Quantity	10
Packing Size	596x395x235mm
Dimension	121x159.4 mm
Net Weight	300g
Load Bearing	The wall must be strong enough to withstand at least 3 times the weight of the camera and the bracket.
Working Temperature	-40°C~+60°C(-40°F~+140°F)
Working Humidity	10% ~ 90%

#### Available Model

Available Model	HD-YZJ0806	Ceiling mounting bracket
-----------------	------------	--------------------------

**Dimensions**



**Shenzhen TVT Digital Technology Co., LTD.**

Address: 23<sup>rd</sup> Floor, Block B4, Building NO.9, Shenzhen Bay Eco-Technology Park, Nanshan District, Shenzhen, Guangdong Province, P.R. China

Tel: +86-755-36995888

Website: <http://en.tvt.net.cn>

Fax: +86-755-33104777

E-mail: [overseas@tvt.net.cn](mailto:overseas@tvt.net.cn)