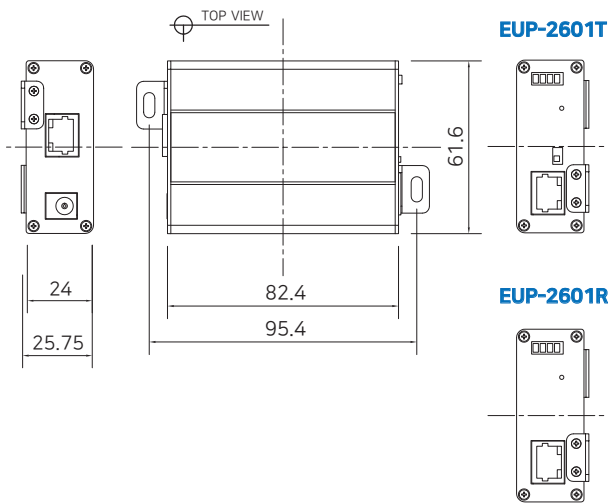


EUP-2601T/R

► Premium Single Port Ethernet over UTP Transmitter / Receiver



Dimension



Specification

Model		EUP-2601T	EUP-2601R
Interface	UTP	1 x RJ45 - Ethernet over UTP (T-LinX)	
	Ethernet	1 x RJ45 - 10/100 Base-T with Auto-detect MDIX	
Transmission Rate		95Mbps Full Duplex (270Mbps between Intercoax 2 series models)	
Transmission Distance	Ethernet	up to 1.2 Km (Cat.5e)	
	PoE (PoC)	up to 1.2 Km (Cat.5e / 57VDC Input / 7W camera)	
LED Indication	Ethernet	1 x Data-Link (Yellow)	
	Data over 2-Wire	1 x Join-Link (Green)	
	Power	1 x Power On (Amber)	
	PoE Output	1 x PoE Out (Red)	
Encryption		128-bit AES	
Power	Input	T-LinX or DC12V~57V	PoE Switch or DC48V~57V
	PoE Output	IEEE802.3af(PoE), IEEE802.3at (PoE+), Extra PoE up to 60W	PoE Not Supported Power Over UTP Only
Mechanical	Dimension	82.4(L) x 61.6(W) x 24(H)mm	
	Weight	102g	
Environment	Operating Temp	-20 ~ 60°C	
	Storage Temp	-30 ~ 80°C	
	Relative Humidity	10% ~ 90%	
Compliance	Certification	FCC, CE, KC	
	Surge Protection	IEC 61000-4-5 4kV(1.2 / 50us), 2kA(8 / 20us)	
Optional Accessories		56VDC / 1.2A External Power Supply	

Overview

EUP-2601 is a High-Speed, long distance Ethernet & PoE extender that makes possible to transmit the Ethernet signal up to 1.2Km and PoE up to 1.2Km via UTP cables in different situations.

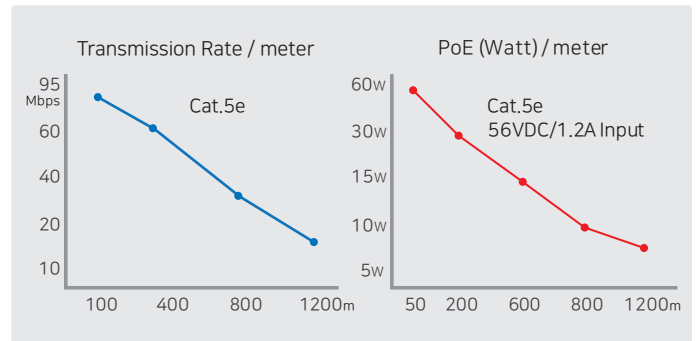
It is cost-effective and time saving solution to migrate existing analog system to IP based system since EUP-2601 supports easy installation utilizing the existing UTP cable.

With long distance transmission feature, the device makes to overcome 100 meters distance limitation easily and reduces the construction cost significantly compared with fiber optic configuration.

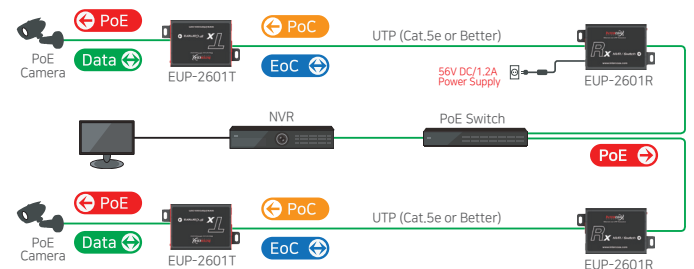
Features

- Ethernet over UTP communication following IEEE1901 Standard
- Data + Power over UTP cable (Cat.5e or better)
- Data distance up to 1.2Km
- PoE distance up to 1.2Km
- Max. 95Mbps Bandwidth (270Mbps between Intercoax models)
- 10/100 Base-T with Auto-detect MDIX
- 128bit AES network encryption
- Supports Multi-connection (Daisy chain, Star, etc.)
- PoE, PoE+, Extra PoE (Max. 60W output) (EUP-2601T only)
- PoE ON/OFF Switch (EUP-2601T only)
- Quality LED (Data, Power, Link, PoE)
- Plug & Play
- Surge Protection
- Support PoE+ Input (25.5W) from PSE devices - EUP-2601R Only
- Slim design

Performance chart



Connection Diagram



- Transmission distance may vary depending on the type and quality of cable, use of power and environmental condition.
- Distance is based on Cat.5e cable and 7 Watt IP Camera.