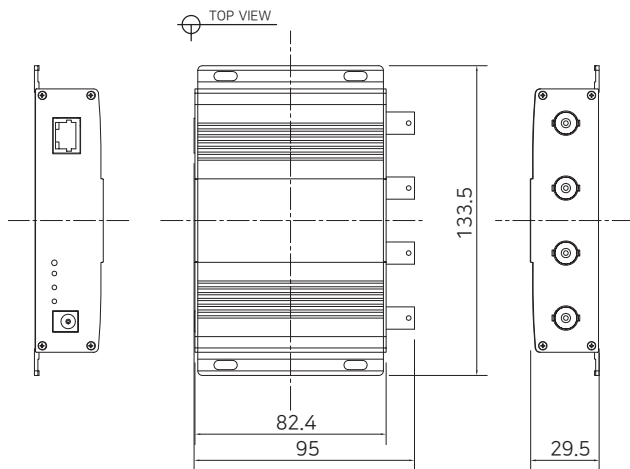


# ECP-9504R ▶ 4 Port Ethernet over Coax Receiver



## Dimension



## Specification

Model		ECP-9504R: 4 Port Receiver
Interface	Coax	4 x 75Ω BNC (Female) - Ethernet over Coax (B-LinX)
	Ethernet	1 x RJ45 - 10/100 Base-T with Auto-detect MDIX
Transmission Rate		95Mbps Full Duplex (PHY: 200Mbps)
Transmission Distance	Ethernet	up to 1000m(RG-6)
	PoE (PoC)	up to 1000m (RG-6 / 7W camera)
LED Indication	Ethernet	1 x Data(Green)
	EoC	1 x BNC Join(Green)
	Power	1 x PWR(Blue)
Encryption		128-bit AES
Power	Input	DC12V ~ 57V
	PoC Output	up to 60W
Mechanical	Dimension	82.4(L) x 133.5(W) x 29.5(H)mm
	Weight	360g
Environment	Operating Temp	-20 ~ 60°C
	Storage Temp	-30 ~ 80°C
	Relative Humidity	10% ~ 90%
Compliance	Certification	FCC, CE, KC
	Surge Protection	IEC 61000-4-5 4kV(1.2 / 50us), 2kA(8 / 20us)
Optional Accessories		56VDC / 1.2A External Power Supply

## Overview

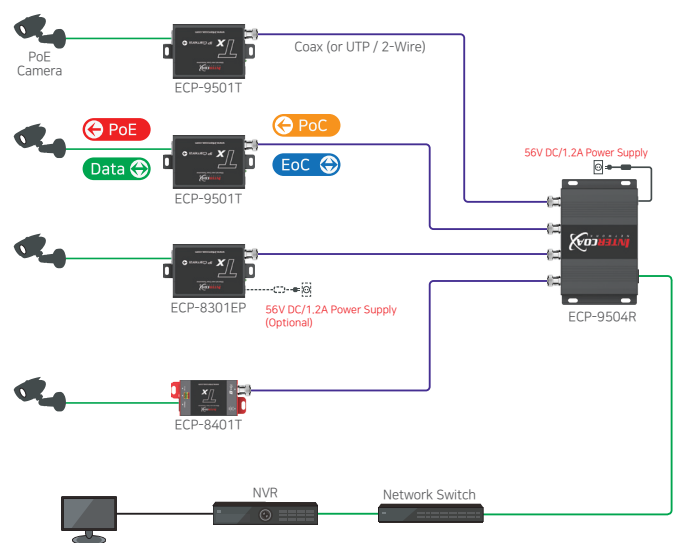
ECP-9504R is a 4 port High-Speed, long distance Ethernet & PoE receiver that receives 4 different signals from ECP-9501T and transmits IP data to network switch or NVR via RJ45 port.

It is cost-effective and time saving solution to migrate existing analog system to IP based system since ECP-9504R supports easy installation utilizing the existing CCTV cable (Coax, UTP, 2wire). With Smart Impedance Matching feature, the device maintains optimum signal level without any interference and Smart Over Current Protection (SOCP) feature makes the device to transmit power over coax safely.

## Features

- Ethernet over coax (UTP, 2-Wire) communication following IEEE1901 Standard
- Data + Power over Coax (or UTP, 2-wire)
- Data distance up to 1000m
- PoE distance up to 1000m
- Max. 95Mbps Bandwidth
- 10/100 Full Duplex
- 128bit AES network encryption
- Supports Multi-connection (Daisy chain, Star, etc.)
- Up to 60W PoC (Power over Coax) output
- Supports UTP, Telephone (2 Pairs), 2-Wire cable communication (Using BTE Series)
- Plug & Play
- Over Current Protection for safe power transmission.
- Surge Protection
- Slim design
- Compatible with EoC Transmitters such as ECP-9501T, ECP-8401T, ECP-8301EP, ECP-8301NP

## Connection Diagram



- Multi-Port devices may have different bandwidth and power current for each port depending on number of connected cameras.
- Transmission distance may vary depending on the type and quality of cable, use of power and environmental condition.
- Distance is based on RG-6 coax cable and 7 Watt IP Camera.