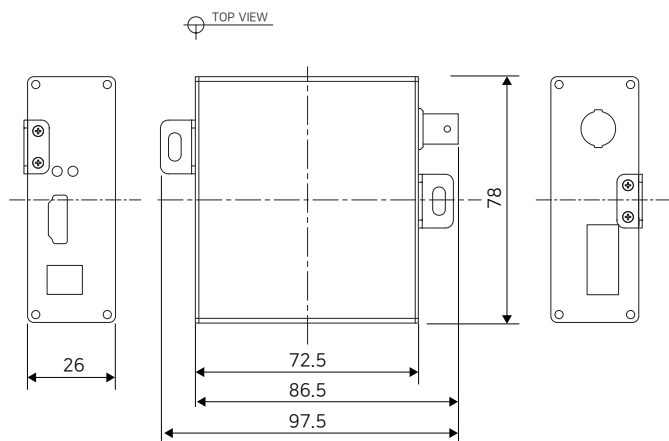




### Dimension



### Specification

Model		HOC-500T	HOC-500R
Interface	HDMI	HDMI (Type A)	
	Coax	BNC-F (75Ω)	
HDMI Standard		HDMI 1.3 / HDCP 1.3	
HDMI Resolution		Up to 1,920 x 1,080P 24/50/60fps (1080p / 1080i / 720p / 480p / 480i)	
HDMI Bandwidth		Max. 6.75Gbps	
HDMI Audio		LPCM (2.0 CH)	
RF Frequency		140 ~ 950 MHz	
Transmission Distance	HDMI	Max. 15m (HDMI Cable AWG26)	
	Coax / RF	Max. 500m (5C-HFBT)	
LED Indication	HDMI	1 x HDMI In (Green)	1 x HDMI Out (Green)
	Power	1 x Power On (Green)	
Power	Input	DC5V/1A	
Mechanical	Dimension	72.5(L) x 78(W) x 26(H)mm	
	Weight	115g	110g
Environment	Operating Temp.	-10 ~ 45°C	
	Storage Temp	-20 ~ 60°C	
	Relative Humidity	10% ~ 90%	
Compliance	Certification	FCC, CE, KC	
	Surge Protection	IEC 61000-4-5 4kV(1.2 / 50us), 2kA(8 / 20us)	

### Overview

The HOC-500T/R is an HDMI Extender that can transmit HDMI signals over long distances using coaxial cable.

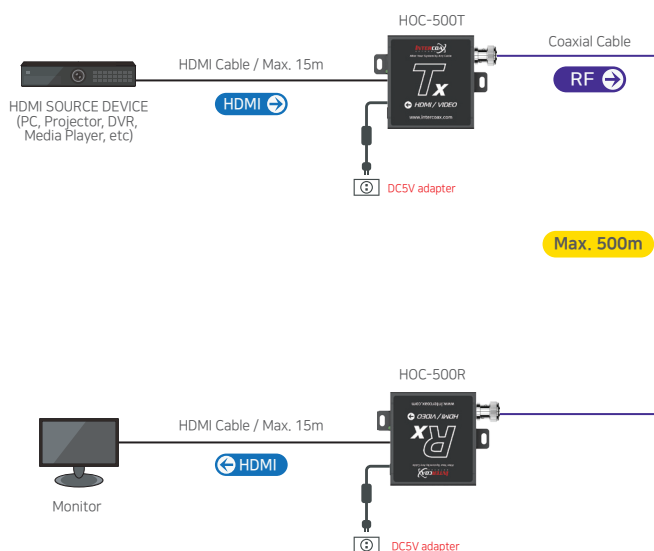
By using the coaxial cables already installed or newly installed coaxial cable, it is possible to transmit HDMI video and audio signal with Max.1920x1080P 60fps FULL HD resolution up to 500 meters.

HOC-500T/R offers solutions for various system configurations such as CCTV, AV equipment and conference room, information distribution, etc.

### Features

- Long range HDMI (Video / Audio) signal transmission up to 500 meters over Coaxial cable.
- Support Max. 1920x1080P 60fps FULL HD resolution.
- 2.0CH Audio (LPCM)
- Support Max. 80 Channel frequency band (140~950MHz).
- Anti-interference and error correction function by adopting digital TV communication protocol.
- Easy installation and channel setting by DIP switch.

### Connection Diagram



- Transmission distance may vary depending on the type and quality of cable, use of power and environmental condition.