



LANBASED L-IGE-2200P-B

- Extending distance for another 100-meter per extender and cascading for Max. 5 units.
- Compatible with IEEE 802.3af and IEEE 802.3at
- Rigid Metal case
- Wall mountable

## Industrial Outreach 2-Port Gigabit PoE+ Extender

### Introduction

L-IGE-2200P-B is a 2-port Gigabit PoE+ extender with IP-31 protection designed for extending connection distance for another 100m (328 ft) on both ends via Cat-5e cable or better. You can cover longer distances by cascading up to 5 IGE-2200Ps together on a network. L-IGE-2200P-B does not need any additional power supply and the outdoor PoE devices (such as an IP camera or WAP) can be connected to the indoor PoE switches or injectors by using L-IGE-2200P-B without worried about the harsh environment outside.

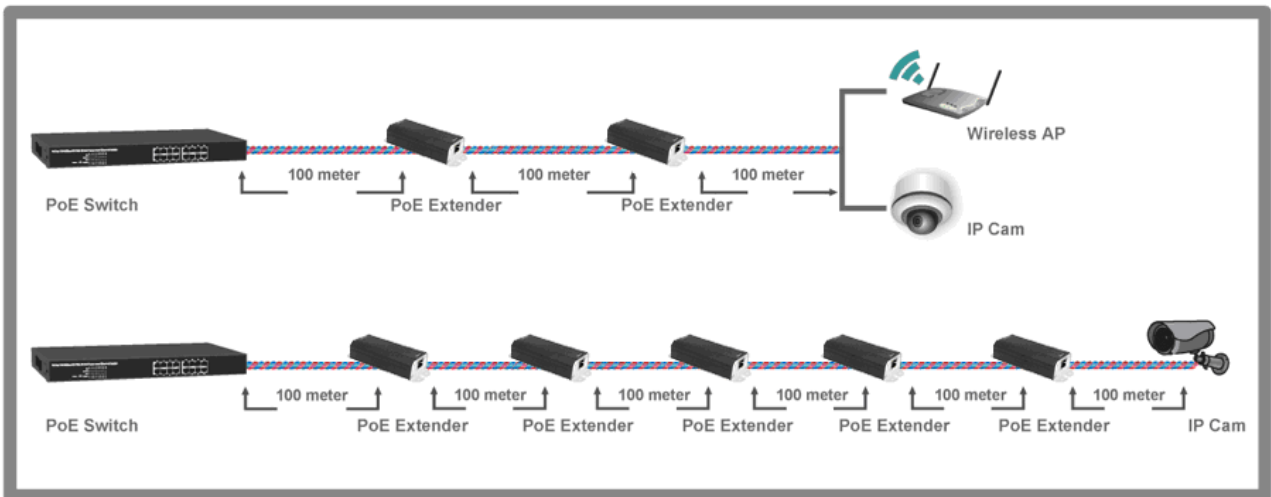
### IEEE 802.3at Power over Ethernet Plus (PoE+) ports

L-IGE-2200P-B features IEEE 802.3at Power over Ethernet Plus (PoE+). This product runs over existing LAN cable to power IEEE 802.3at compliant network accessories. It also features PoE awareness to verify whether the network device receive power is IEEE 802.3at compliant, or only the data will be sent through LAN cable.

### Product Specification

<b>Interface</b>		
10/100/1000 Base RJ45 PoE-in Ports	1	
10/100/1000 Base RJ45 PoE-out Ports	1	
<b>PoE Features</b>		
IEEE 802.3 af/at	IEEE 802.3 af/at	
Number of PSE Ports	1	
PoE Output Power	Maximum PoE output per port: IEEE-802.3AT 30W	
PSE Mode	Alternative A and B (4 Pairs)	
<b>L2 Features</b>		
Auto-negotiation	•	
Auto MDI/MDIX	•	
Flow Control (duplex)	802.3x (Full)	•
	Back-Pressure (Half)	•
<b>Mechanical</b>		
Power Input	IEEE 802.3af/at PoE/PoE+ power	
Dimension (H*W*D)	27 x 45 x 116 mm (H x W x D)	
System Power Consumption	2.24 Watt Max.	
LED	Per Port: PoE, Act/Status Left Amber LED (PoE) Right Green LED (Act/Status)	
Operating Temperature	-40 to 75 °C	
Storage Temperature	-40 to 85°C	
Operating Humidity	10~90% (non-condensing)	
Weight	123 g	
Casing	Ingress protection to IP31, Aluminum Alloy	
Certification	CE mark, Commercial; FCC Part 15 B and VCCI Class A	
Mounting	Wall Mounting	
<b>Standard</b>		
IEEE 802.3 – 10BaseT	•	
IEEE 802.3u - 100BaseTX	•	
IEEE 802.3ab - 1000BaseT	•	
IEEE 802.3af Power over Ethernet (PoE)	•	
IEEE 802.3at Power over Ethernet (PoE+)	•	
IEEE 802.3x - Flow Control	•	

## Application Diagram



## Maximum PD Available Power

PoE Source	Numbers of L-IGE-2200P-B	Distance (m)	PD voltage (V)	PD Max power (W)
802.3at PoE+ switch	1	200	43.17	25.90
	2	300	38.52	21.57
	3	400	35.01	17.86
	4	500	35.22	13.38
	5	600	35.04	9.81

\*All the values listed here are the maximum value from tests based on a PoE switch with 56V output performed in an ideal lab environment. The actual value may be different due to network environments and the quality of your cable.