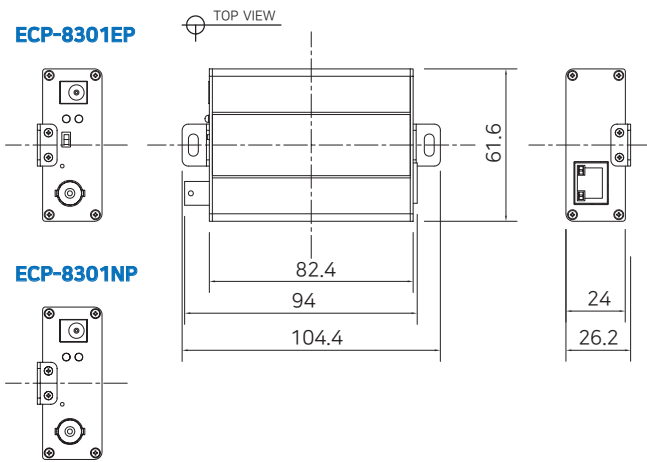


ECP-8301EP/NP

▶ Single Port Ethernet over Coax Transmitter / Receiver



Dimension



Specification

Model		ECP-8301EP	ECP-8301NP
Interface	Coax	1 x 75Ω BNC (Female) - EoC (B-LinX)	
	Ethernet	1 x RJ45 - 10/100 Base-T with Auto-detect MDIX	
Transmission Rate		80Mbps Full Duplex (PHY: 200Mbps)	
Transmission Distance	Ethernet	up to 2.4Km (RG-6)	
	PoE (PoC)	up to 1.2Km (RG-6 / 7W camera)	
LED Indication	Ethernet	1 x Data(Green) / 1 x PoE(Yellow)	
	EoC	1 x BNC Join(Green)	
	Power	1 x PWR(Blue)	
Encryption		128-bit AES	
Power	Input	B-LinX or DC12V~ 57V	
	PoE Output	Support PoE (15W) PoE+ (30W) Extra PoE up to 60W	PoE Not Supported PoC Only
Mechanical	Dimension	82.4(L) x 61.6(W) x 24(H)mm	
	Weight	103g	91g
Environment	Operating Temp	-20 ~ 60°C	
	Storage Temp	-30 ~ 80°C	
	Relative Humidity	10% ~ 90%	
Compliance	Certification	FCC, CE, KC	
	Surge Protection	IEC 61000-4-5 4kV(1.2 / 50us), 2kA(8 / 20us)	
Optional Accessories		56VDC / 1.2A External Power Supply	

Overview

ECP-8301 is a High-Speed, long distance Ethernet & PoE extender that makes possible to transmit IP data up to 2.4Km and PoE up to 1.2Km through various analog cables in different situations.

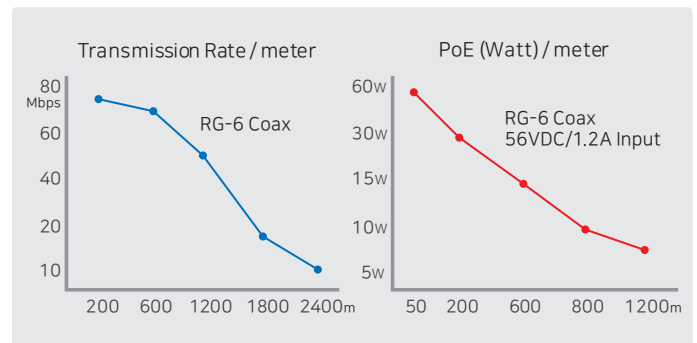
It is cost-effective and time saving solution to migrate existing analog system to IP based system since ECP-8301 supports easy installation utilizing the existing CCTV cable (Coax, UTP, 2wire).

With long distance transmission feature, the device makes to overcome 100 meters distance limitation easily and reduces the construction cost significantly compared with fiber optic configuration.

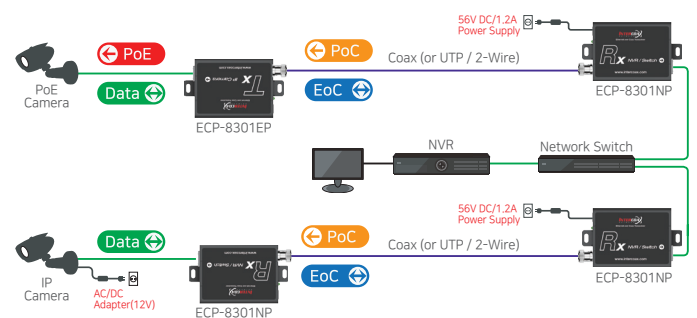
Features

- Ethernet over coax (UTP, 2-Wire) communication following IEEE1901 Standard
- Data + Power over Coax (or UTP, 2-wire)
- Data distance up to 2.4Km
- PoE distance up to 1.2Km
- Max. 80Mbps Bandwidth
- 10/100 Full Duplex
- 128bit AES network encryption
- Supports Multi-connection (Daisy chain, Star, etc.)
- PoE, PoE+, Extra PoE (Max. 60W output / ECP-8301EP only)
- PoE ON/OFF Switch (ECP-8301EP only)
- Supports UTP, Telephone (2 Pairs), 2-Wire cable communication (Using BTE Series)
- Plug & Play
- Over Current Protection for safe power transmission.
- Surge Protection

Performance chart



Connection Diagram



- ▶ Transmission distance may vary depending on the type and quality of cable, use of power and environmental condition.
- ▶ Distance is based on RG-6 coax cable and 7 Watt IP Camera.